



FIRST ANGLE PROJECTION

THIS DRAWING IS CONFIDENTIAL AND IS SUPPLIED ON THE EXPRESS CONDITION THAT IT SHALL NOT BE LOANED OR COPIED OR DISCLOSED TO ANY OTHER PERSON OR USED FOR ANY OTHER PURPOSE WITHOUT THE WRITTEN CONSENT OF AP RACING LTD.

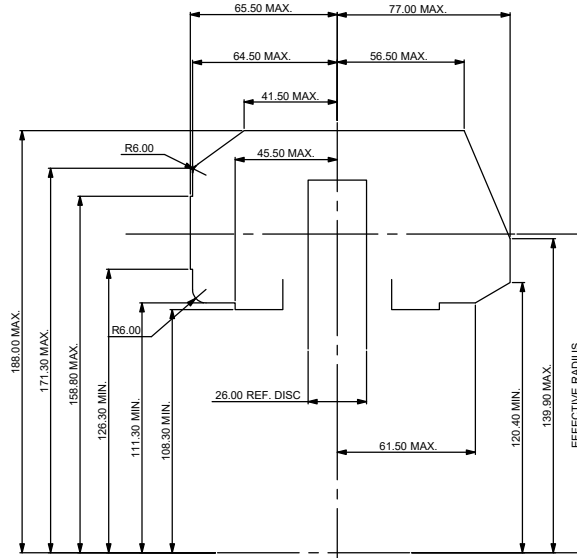


CALIPER SPECIFICATION

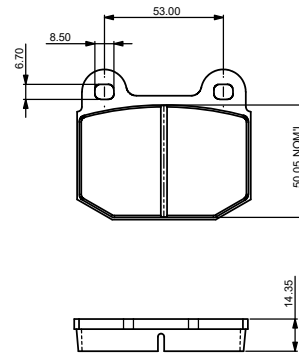
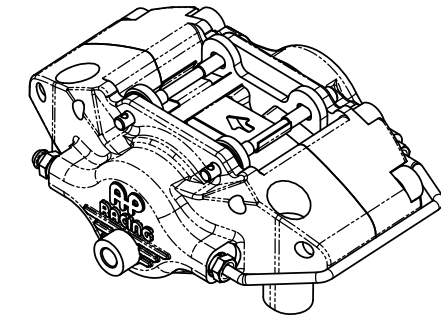
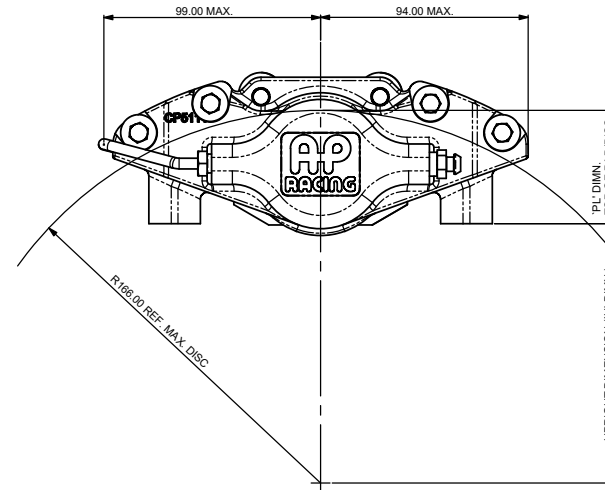
BORE SIZE	41.28 (1.625")
PISTON AREA / PAD	13.4 SQ. CM
DISC DIA. MAX.	332.00
DISC THICKNESS MAX.	26.00
DISC THICKNESS MIN. (WORN CONDITION)	24.00 (DIFFERENTIAL WEAR NOT TO EXCEED 0.50MM SIDE TO SIDE)
HYDRAULIC FEED	M10 X 1.0
DRY WEIGHT (LESS PADS)	1.50kg
PAD FAMILY	CP5119
EFFECTIVE RADIUS (ON DIA. 332.00 DISC)	142.00
'PL' DIMN.	50.50
OFFSET 'C' DIMN.	27.50
MTG. HOLE CENTRES 'D' DIMN.	130.00
PAD FRICTION MATERIAL MIN. THICKNESS	2.50
PAD RETENTION	2 x RETAINER PIN WITH R CLIP
TIGHTENING TORQUES	BLEED SCREW : 17Nm HYDRAULIC FEED : 25Nm
CORROSION PROTECTION	FLUID RESISTANT BLACK PAINT FINISH - ALUMINIUM BODY BOOT TYPE DIRT SEALS

CALIPER IDENTIFICATION CHART

RHT	RIGHT HAND TRAILING (BEHIND AXLE)
LHT	LEFT HAND TRAILING (BEHIND AXLE)
RHL	RIGHT HAND LEADING (IN FRONT OF AXLE)
LHL	LEFT HAND LEADING (IN FRONT OF AXLE)

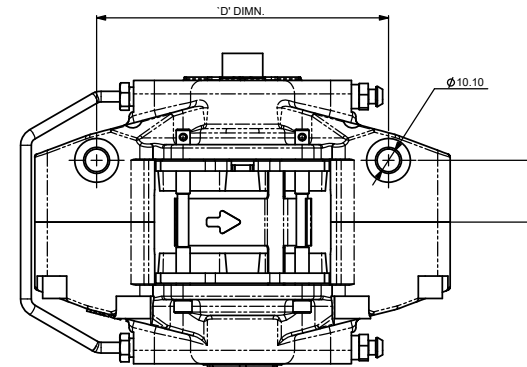


CALIPER RADIAL PROFILE AS FITTED ON Ø332.00 DISC.



CP5119 PAD FAMILY

PAD AREA - NOMINAL - SLOTTED +33.70 cm²
FULL AREA - 35.10 cm²



PART NUMBERING CONVENTION

PART NUMBER	DESCRIPTION
CP5317-2ABK2	RHT/LHL - SIDE FEED - NO ANTI KNOCK BACK SPRING
CP5317-3ABK2	LHT/RHL - SIDE FEED - NO ANTI KNOCK BACK SPRING

Issue No	Alterations		
	Date & No.	Particulars	Zone / Initials
1	13/11/02 R1067	FIRST ISSUE	# TTF
2	24/01/07 R2084	LOGO UPDATED	# SW
3	21/01/25 WF-3421_01	PART NUMBERS UPDATED: CP5317-2ABK2 WAS CP5317-250 CP5317-3ABK2 WAS CP5317-350	B12 AMO

SCALE 1:1	SHEET 1 OF 1
DRAWN TOMISLAV FERENC	
APPROVED	
DERIVED FROM CP5315-1CD	
TITLE CALIPER INSTALLATION DRAWING Ø332 MAX. x 26 DISC INSTALLATION	
DRG NO. cp5317-1cd	

